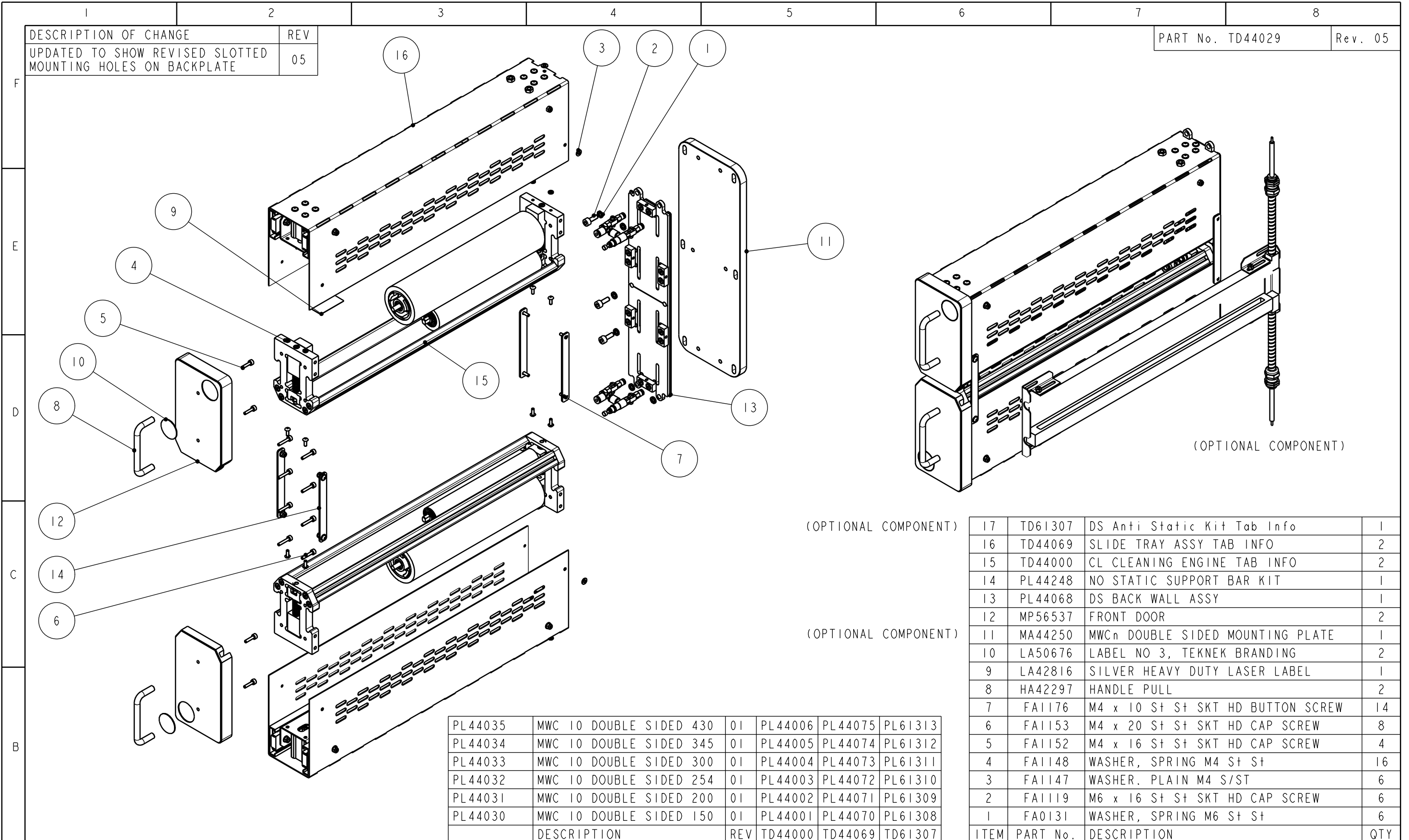


DESCRIPTION OF CHANGE	REV
UPDATED TO SHOW REVISED SLOTTED MOUNTING HOLES ON BACKPLATE	05

PART No. TD44029 Rev. 05



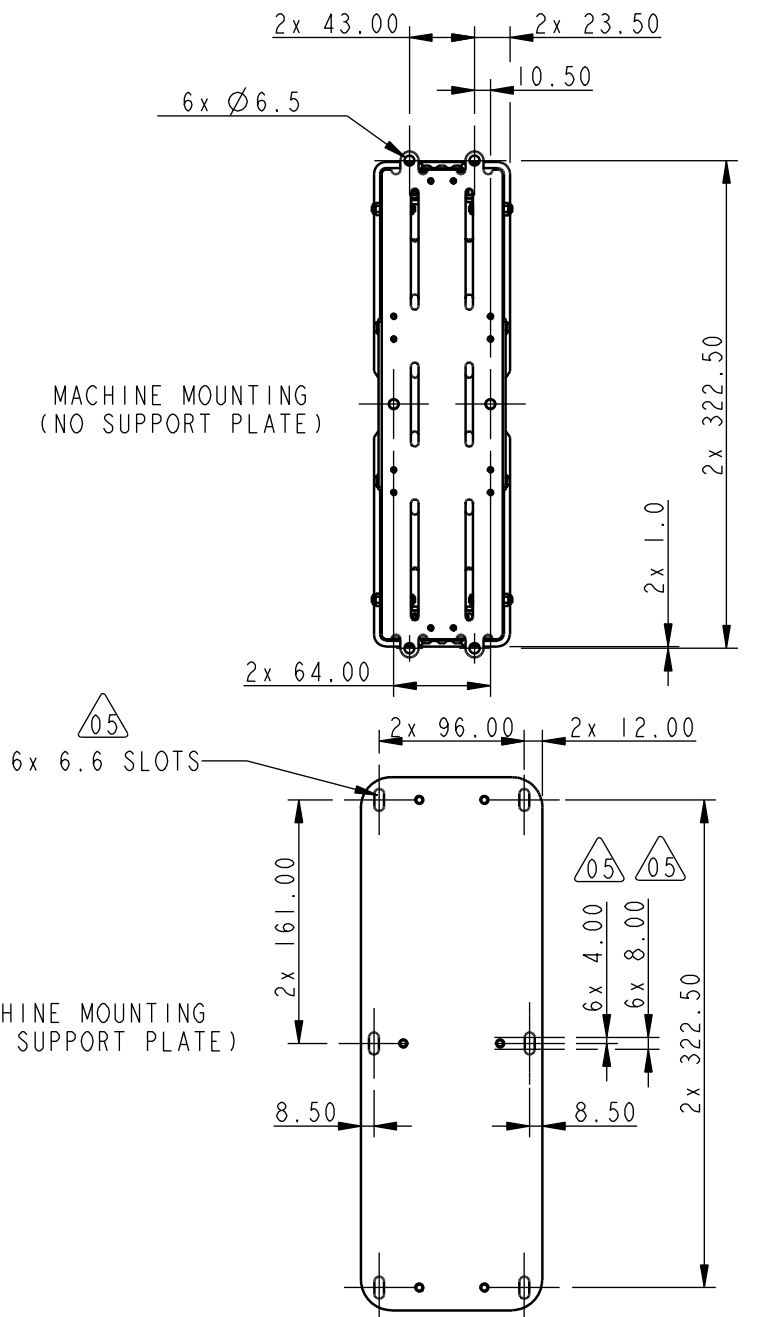
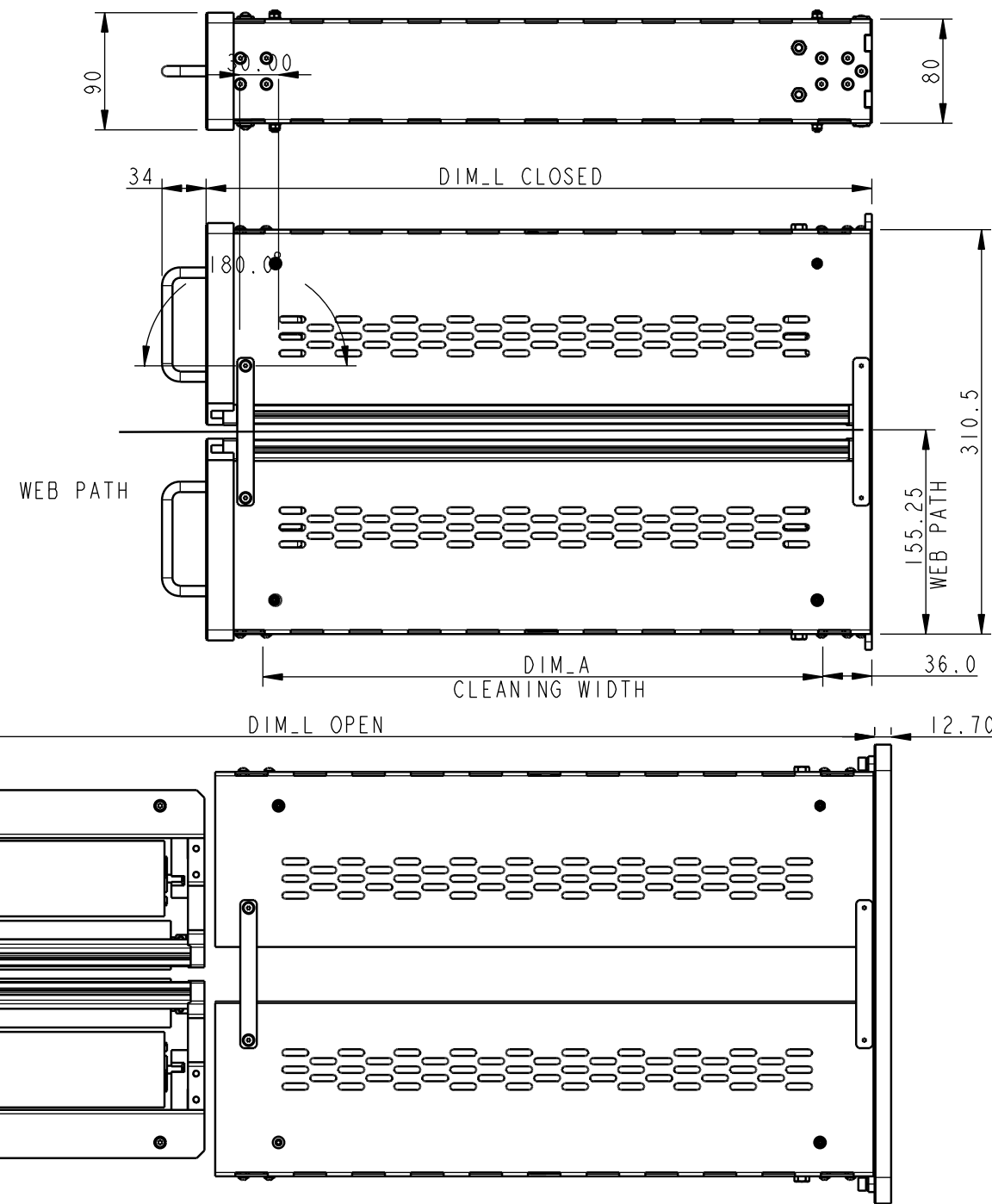
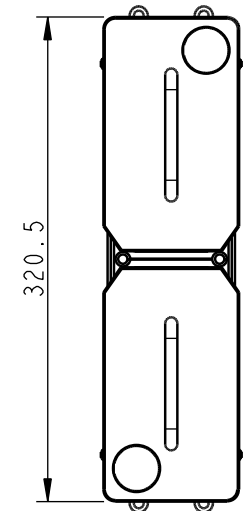
PL44035	MWC 10 DOUBLE SIDED 430	01	PL44006	PL44075	PL61313
PL44034	MWC 10 DOUBLE SIDED 345	01	PL44005	PL44074	PL61312
PL44033	MWC 10 DOUBLE SIDED 300	01	PL44004	PL44073	PL61311
PL44032	MWC 10 DOUBLE SIDED 254	01	PL44003	PL44072	PL61310
PL44031	MWC 10 DOUBLE SIDED 200	01	PL44002	PL44071	PL61309
PL44030	MWC 10 DOUBLE SIDED 150	01	PL44001	PL44070	PL61308
	DESCRIPTION	REV	TD44000	TD44069	TD61307

17	TD61307	DS Anti Static Kit Tab Info	1
16	TD44069	SLIDE TRAY ASSY TAB INFO	2
15	TD44000	CL CLEANING ENGINE TAB INFO	2
14	PL44248	NO STATIC SUPPORT BAR KIT	1
13	PL44068	DS BACK WALL ASSY	1
12	MP56537	FRONT DOOR	2
11	MA44250	MWCn DOUBLE SIDED MOUNTING PLATE	1
10	LA50676	LABEL NO 3, TEKNEK BRANDING	2
9	LA42816	SILVER HEAVY DUTY LASER LABEL	1
8	HA42297	HANDLE PULL	2
7	FA1176	M4 x 10 St St SKT HD BUTTON SCREW	14
6	FA1153	M4 x 20 St St SKT HD CAP SCREW	8
5	FA1152	M4 x 16 St St SKT HD CAP SCREW	4
4	FA1148	WASHER, SPRING M4 St St	16
3	FA1147	WASHER, PLAIN M4 S/ST	6
2	FA1119	M6 x 16 St St SKT HD CAP SCREW	6
1	FA0131	WASHER, SPRING M6 St St	6
ITEM	PART No.	DESCRIPTION	QTY

NOTES:	05	28.08.14	4311r01	BT	STD DESIGN SPEC. PI5487	<p>© 2008 TEKNEK ALL PRODUCTS DESIGNED, DEVELOPED AND MANUFACTURED BY TEKNEK LIMITED ARE PROTECTED BY COPYRIGHT, UNREGISTERED DESIGN RIGHT AND, WHERE APPROPRIATE, PATENT OR REGISTERED DESIGN. NO ELEMENT OF ANY PRODUCT SHOULD BE COPIED WITHOUT THE PRIOR WRITTEN PERMISSION OF TEKNEK LIMITED.</p>	TEKNEK LIMITED River Drive, Inchinnan PA4 9RT, Scotland, United Kingdom Telephone: +44 (0) 141 568 8100 E-mail: teknek@teknek.com Web: - http://www.teknek.com	<p>An ITW Company</p>	
	04	04.08.11	3870r01	GT	DIMENSIONAL TOLERANCES UNLESS OTHERWISE STATED: DIMENSION X. ± .50mm ANGLES X. ± 2.0° X.X ± .25mm X.X ± 1.0° X.XX ± .10mm X.XX ± 0.5°				
	03	07.06.11	3845r01	GT					
	02	15.11.10	3728r01	GT	ENGR: GT DATE: 12/5/10				
	01	28/06/10	3655r01	GT					
	REV	DATE	ECN No.	ENG.					
MATERIAL: SEE NOTES						PROJECT: MWCn			
FINISH: SEE NOTES						TITLE: MWCn DOUBLE SIDED TAB INFO			
SCALE: 1:20			SHEET 1 OF 2			DRG SIZE: A3		PART No. TD44029	Rev. 05

DESCRIPTION OF CHANGE	REV
SEE SHEET - 1	05

PART No. TD44029 Rev. 05



PART No	DESCRIPTION	DIM "A"	DIM "L" CLOSED	DIM "L" OPEN	DS ANTI STATIC OPTION
PL44030	MWC 10 DS 150	150	228.5	431.5	PL61308
PL44031	MWC 10 DS 200	200	279.5	522.5	PL61309
PL44032	MWC 10 DS 254	254	332.5	637.5	PL61310
PL44033	MWC 10 DS 300	300	378.5	734.5	PL61311
PL44034	MWC 10 DS 345	345	424.5	830.5	PL61312
PL44035	MWC 10 DS 430	430	508.5	1016.5	PL61313

NOTES:	05	28.08.14	4311r01	BT	STD DESIGN SPEC. PI5487	<p>© 2008 TEKNEK</p> <p>ALL PRODUCTS DESIGNED, DEVELOPED AND MANUFACTURED BY TEKNEK LIMITED ARE PROTECTED BY COPYRIGHT, UNREGISTERED DESIGN RIGHT AND, WHERE APPROPRIATE, PATENT OR REGISTERED DESIGN. NO ELEMENT OF ANY PRODUCT SHOULD BE COPIED WITHOUT THE PRIOR WRITTEN PERMISSION OF TEKNEK LIMITED.</p> <p>TEKNEK LIMITED River Drive, Inchinnan PA4 9RT, Scotland, United Kingdom Telephone: +44 (0) 141 568 8100 E-mail: teknek@teknek.com Web: - http://www.teknek.com</p>	
	04	04.08.11	3870r01	GT	DIMENSIONAL TOLERANCES UNLESS OTHERWISE STATED: DIMENSION X. ± .50mm ANGLES X. ± 2.0° X.X ± .25mm X.X ± 1.0° X.XX ± .10mm X.XX ± 0.5°		
	03	07.06.11	3845r01	GT			
	02	15.11.10	3728r01	GT	ENGR: GT DATE: 12/5/10		
	01	28/06/10	3655r01	GT			
	REV	DATE	ECN No.	ENG.			
					<p>MATERIAL: SEE NOTES</p> <p>FINISH: SEE NOTES</p> <p>SCALE: 1:20 SHEET 2 OF 2</p> <p>PROJECT: MWCn</p> <p>TITLE: MWCn DOUBLE SIDED TAB INFO</p> <p>DRG SIZE: A3 PART No. TD44029 Rev. 05</p>		