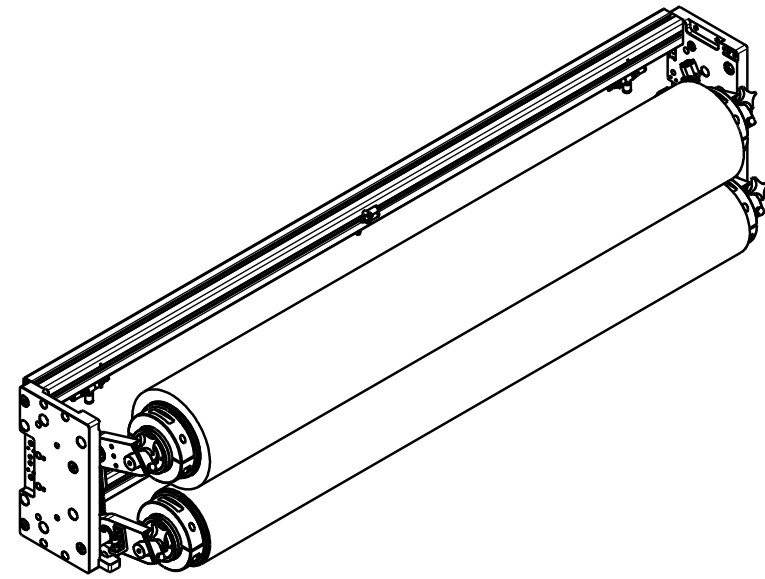
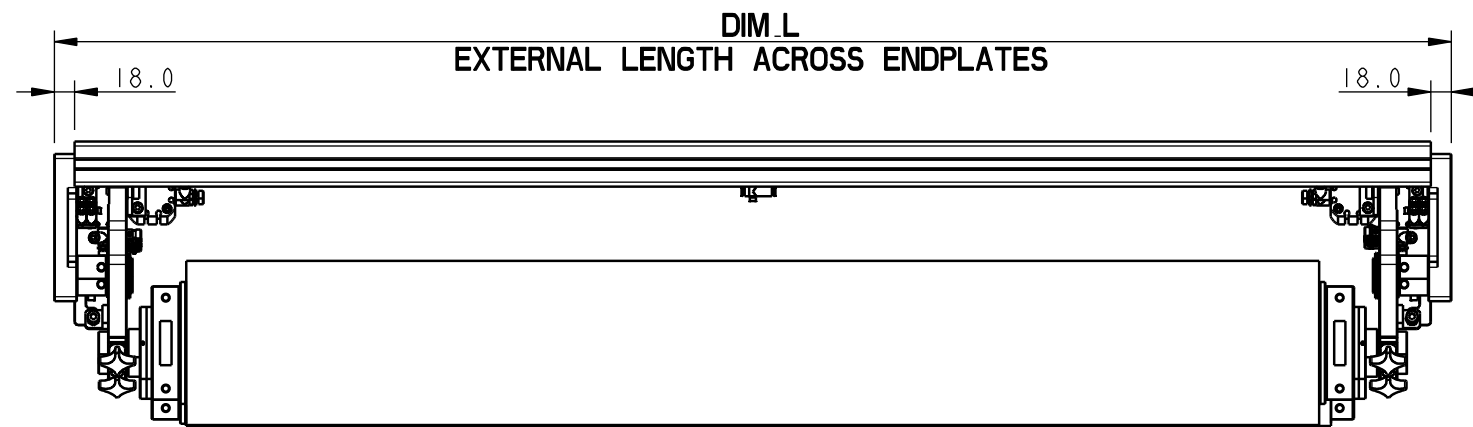


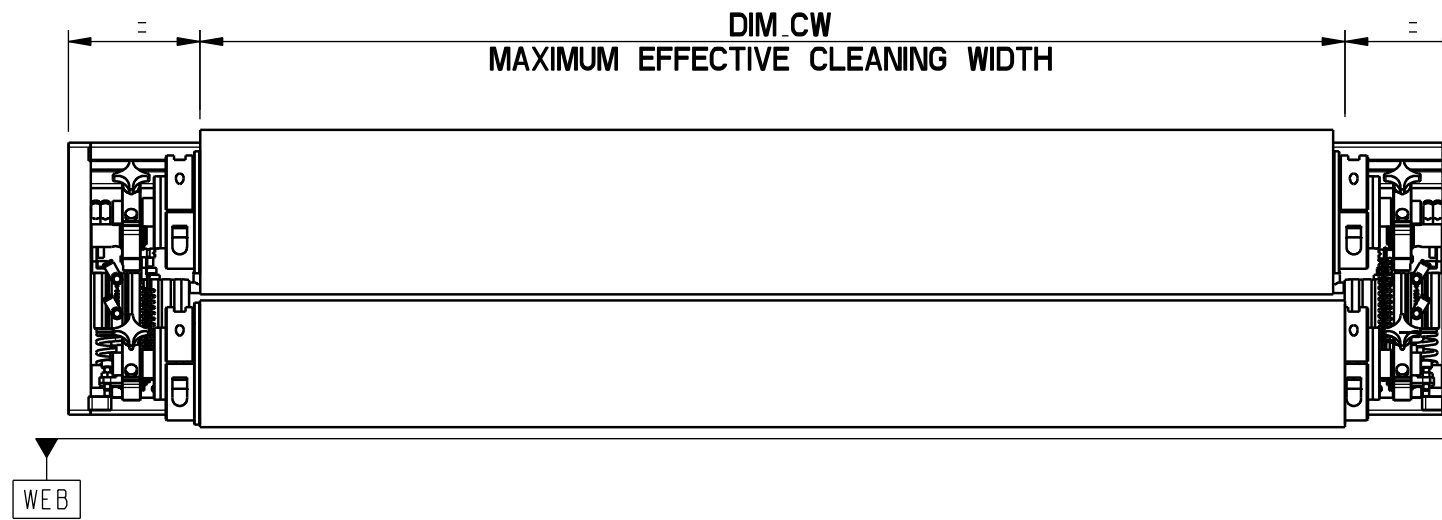
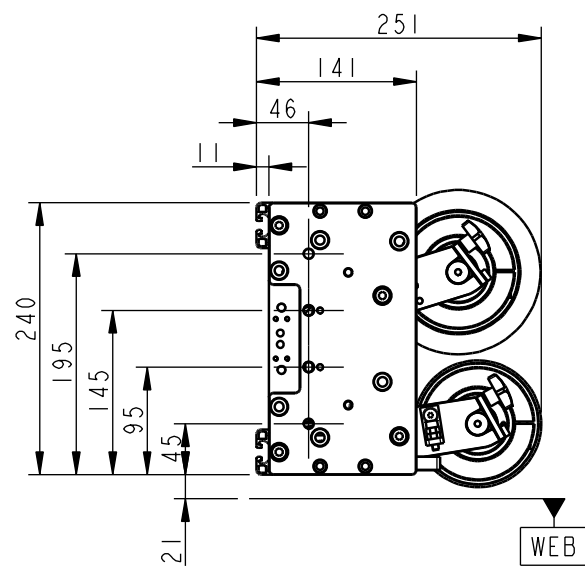
1	2	3	4	5	6	7	8
DESCRIPTION OF CHANGE							REV
PRODUCT RELEASED - ADDITIONAL INFO ADDED							03
							PART No. Pi71395
							Rev. 03



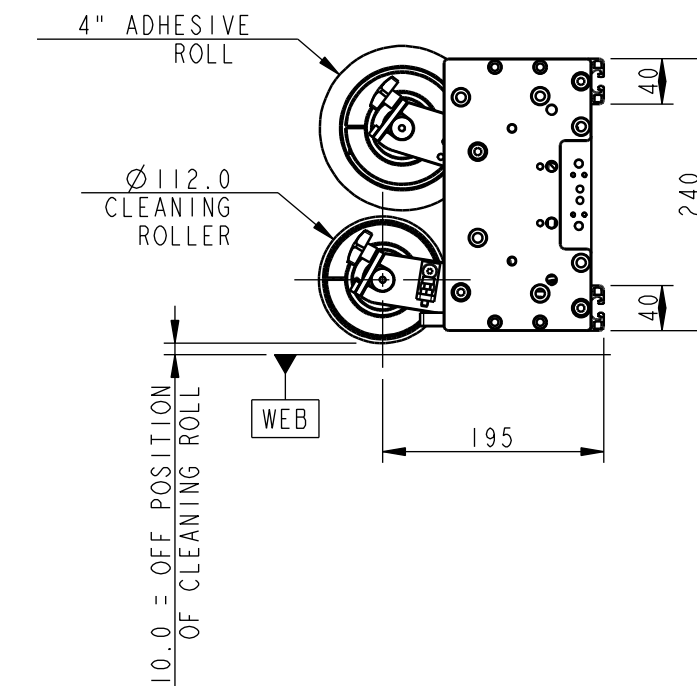
STANDARD SINGLE SIDED CLEANER
(NO SLIDES FITTED)



UWC-1800-DS	1800	2032
UWC-1700-DS	1700	1932
UWC-1600-DS	1600	1832
UWC-1500-DS	1500	1732
UWC-1400-DS	1400	1632
UWC-1300-DS	1300	1532
UWC-1200-DS	1200	1432
UWC-1100-DS	1100	1332
UWC-1000-DS	1000	1232
MACHINE	DIM.CW	DIM.L



SINGLE SIDED CLEANER - NO SLIDES

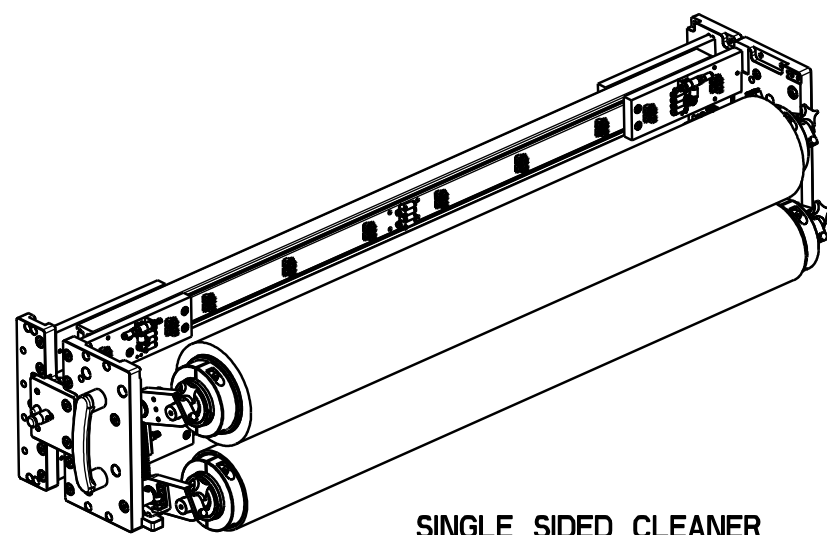


NOTES:

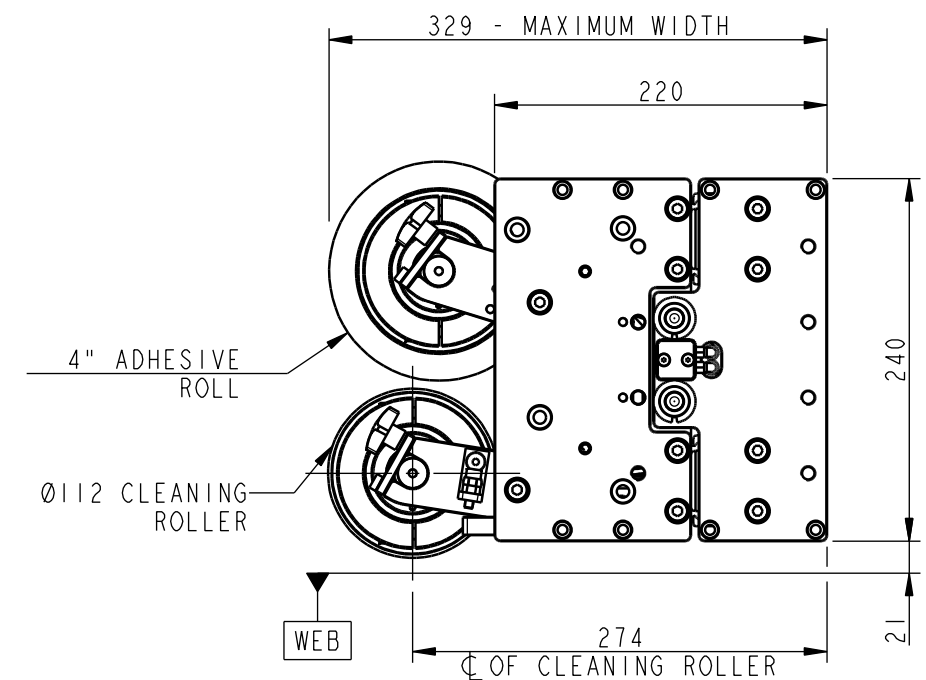
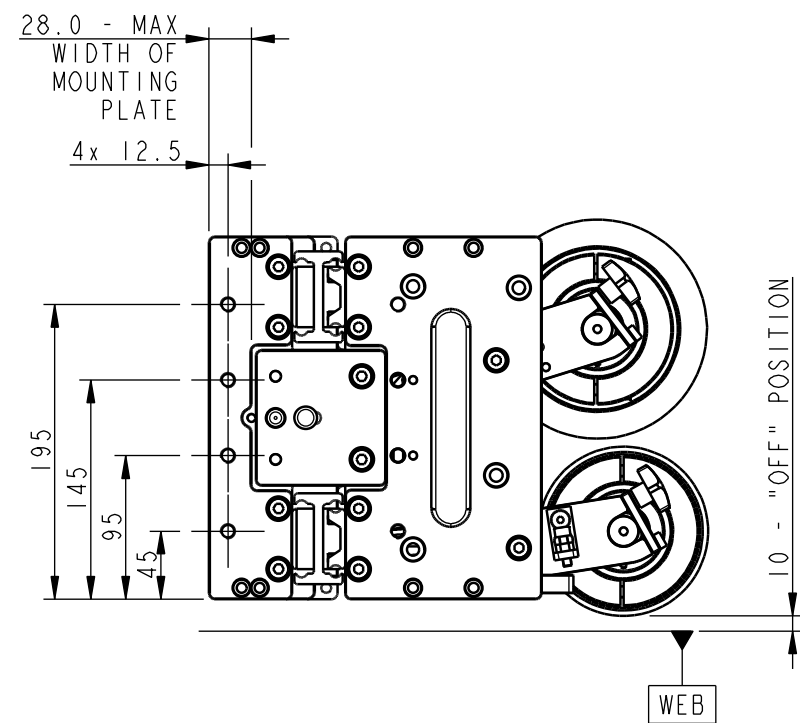
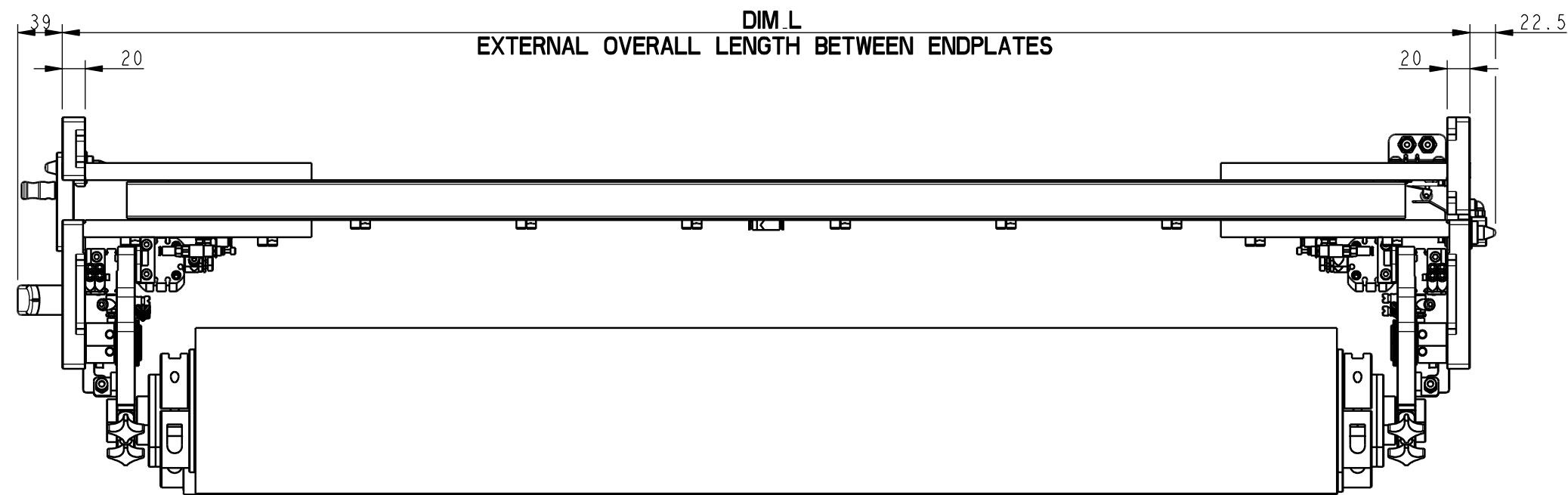
				STD DESIGN SPEC. P15487		© 2016 TEKNEK ®	TEKNEK River Drive, Inchinnan PA4 9RT, Scotland, United Kingdom Telephone: +44 (0) 141 568 8100 E-mail: teknek@teknek.com Web: http://www.teknek.com
				DIMENSIONAL TOLERANCES UNLESS OTHERWISE STATED: DIMENSION X. ± .50mm ANGLES X. ± 2.0° X.X ± .25mm X.X ± 1.0° X.XX ± .10mm X.XX ± 0.5°		ALL PRODUCTS DESIGNED, DEVELOPED AND MANUFACTURED BY TEKNEK ARE PROTECTED BY COPYRIGHT, UNREGISTERED DESIGN RIGHT AND, WHERE APPROPRIATE, PATENT OR REGISTERED DESIGN. NO ELEMENT OF ANY PRODUCT SHOULD BE COPIED WITHOUT THE PRIOR WRITTEN PERMISSION OF TEKNEK.	
03	13.02.17	4484r05	BT				
02	22.09.16	4484r01	BT	ENGR: B. TYNAN	DATE: 24.05.16	MATERIAL:	PROJECT: UNIVERSAL WEB CLEANER
01	24.05.16	4484r01	BT	APP BY:		FINISH:	TITLE: LAYOUT, UWC - SS TABULATED INFO
REV	DATE	ECN No.	ENG.			SCALE: 3:20	SHEET 1 OF 4
						DRG SIZE: A2	PART No. Pi71395
							Rev: 03



1	2	3	4	5	6	7	8
DESCRIPTION OF CHANGE SEE SHEET - 1	REV 03						PART No. Pi71395 Rev. 03



SINGLE SIDED CLEANER
WITH SLIDES FITTED



SINGLE SIDED CLEANER - SLIDES FITTED

UWC-1800-DS	1800	2032	4050
UWC-1700-DS	1700	1932	3850
UWC-1600-DS	1600	1832	3650
UWC-1500-DS	1500	1732	3450
UWC-1400-DS	1400	1632	3250
UWC-1300-DS	1300	1532	3050
UWC-1200-DS	1200	1432	2850
UWC-1100-DS	1100	1332	2650
UWC-1000-DS	1000	1232	2450
MACHINE	DIM.CW	DIM.L	DIM.W

NOTES:

03	13.02.17	4484r05	BT
02	22.09.16	4484r01	BT
01	24.05.16	4484r01	BT
REV	DATE	ECN No.	ENG.

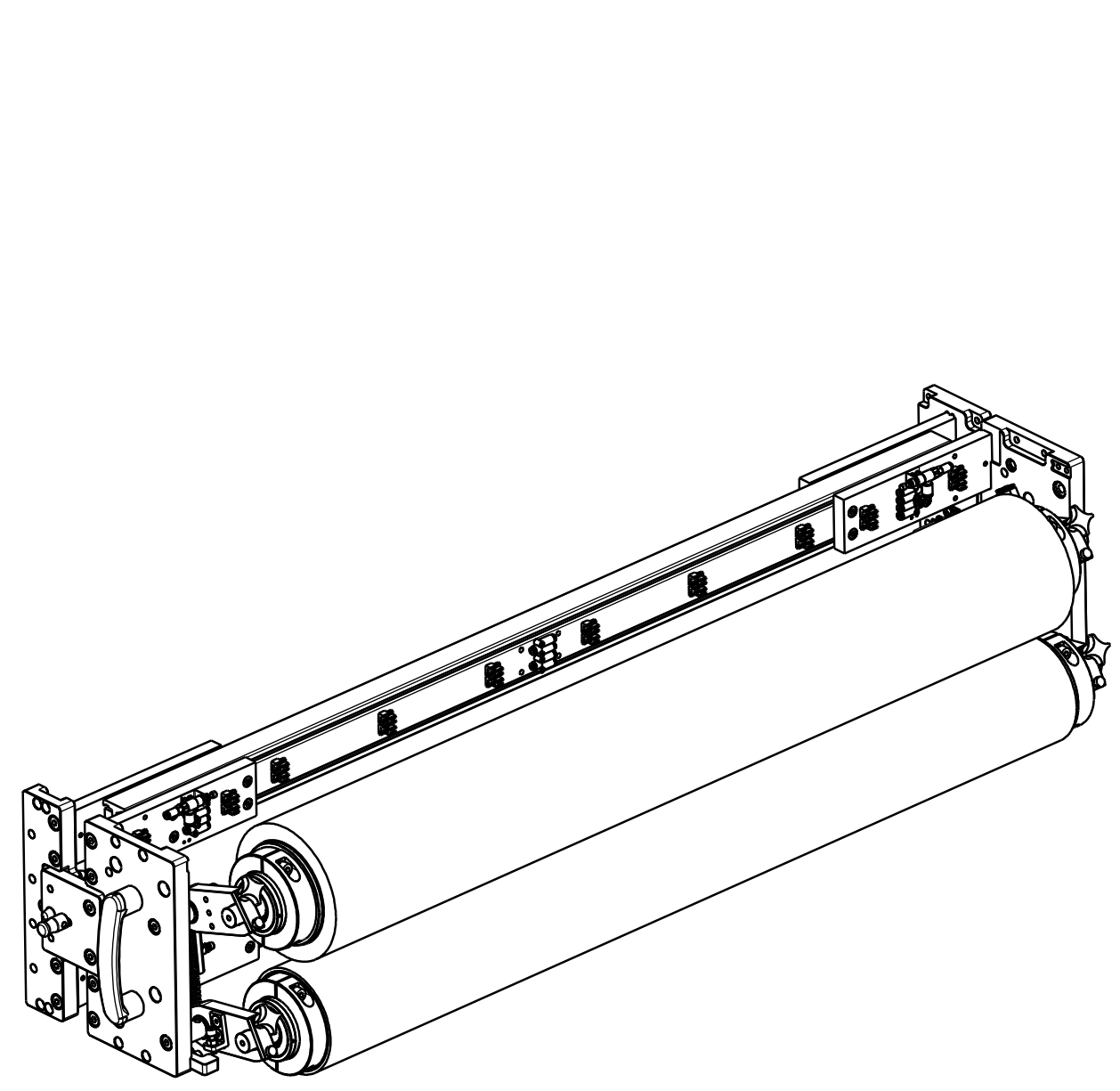
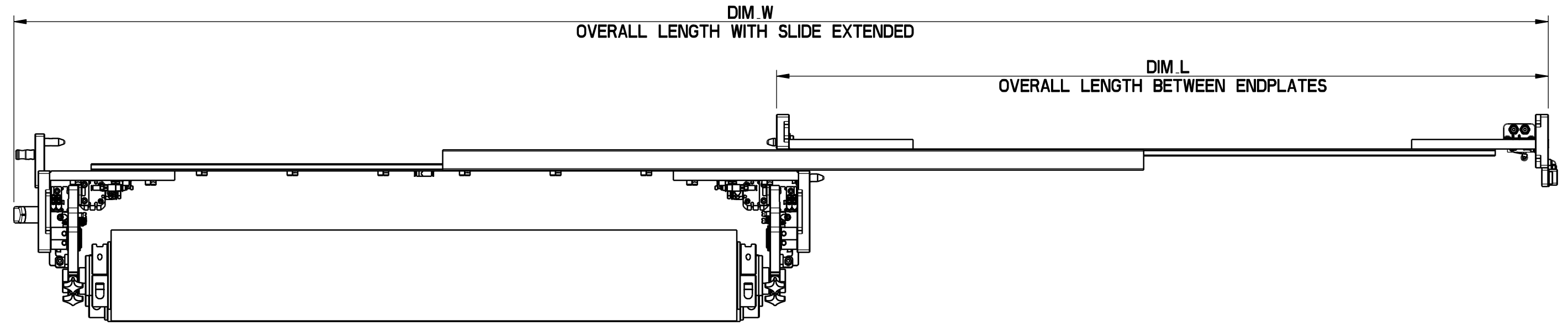
STD DESIGN SPEC. P15487	⊕
DIMENSIONAL TOLERANCES UNLESS OTHERWISE STATED: DIMENSION X. ± .50mm ANGLES X. ± 2.0° X.X ± .25mm X.X ± 1.0° X.XX ± .10mm X.XX ± 0.5°	
ENGR: B. TYNAN	DATE: 24.05.16
APP BY:	

© 2016 TEKNEK ®	TEKNEK
ALL PRODUCTS DESIGNED, DEVELOPED AND MANUFACTURED BY TEKNEK ARE PROTECTED BY COPYRIGHT, UNREGISTERED DESIGN RIGHT AND, WHERE APPROPRIATE, PATENT OR REGISTERED DESIGN. NO ELEMENT OF ANY PRODUCT SHOULD BE COPIED WITHOUT THE PRIOR WRITTEN PERMISSION OF TEKNEK.	River Drive, Inchinnan PA4 9RT, Scotland, United Kingdom Telephone: +44 (0) 141 568 8100 E-mail: teknek@teknek.com Web: http://www.teknek.com
MATERIAL:	PROJECT: UNIVERSAL WEB CLEANER
FINISH:	TITLE: LAYOUT, UWC - SS TABULATED INFO
SCALE: 1:5	SHEET 2 OF 4
DRG SIZE: A2	PART No. Pi71395
	Rev. 03

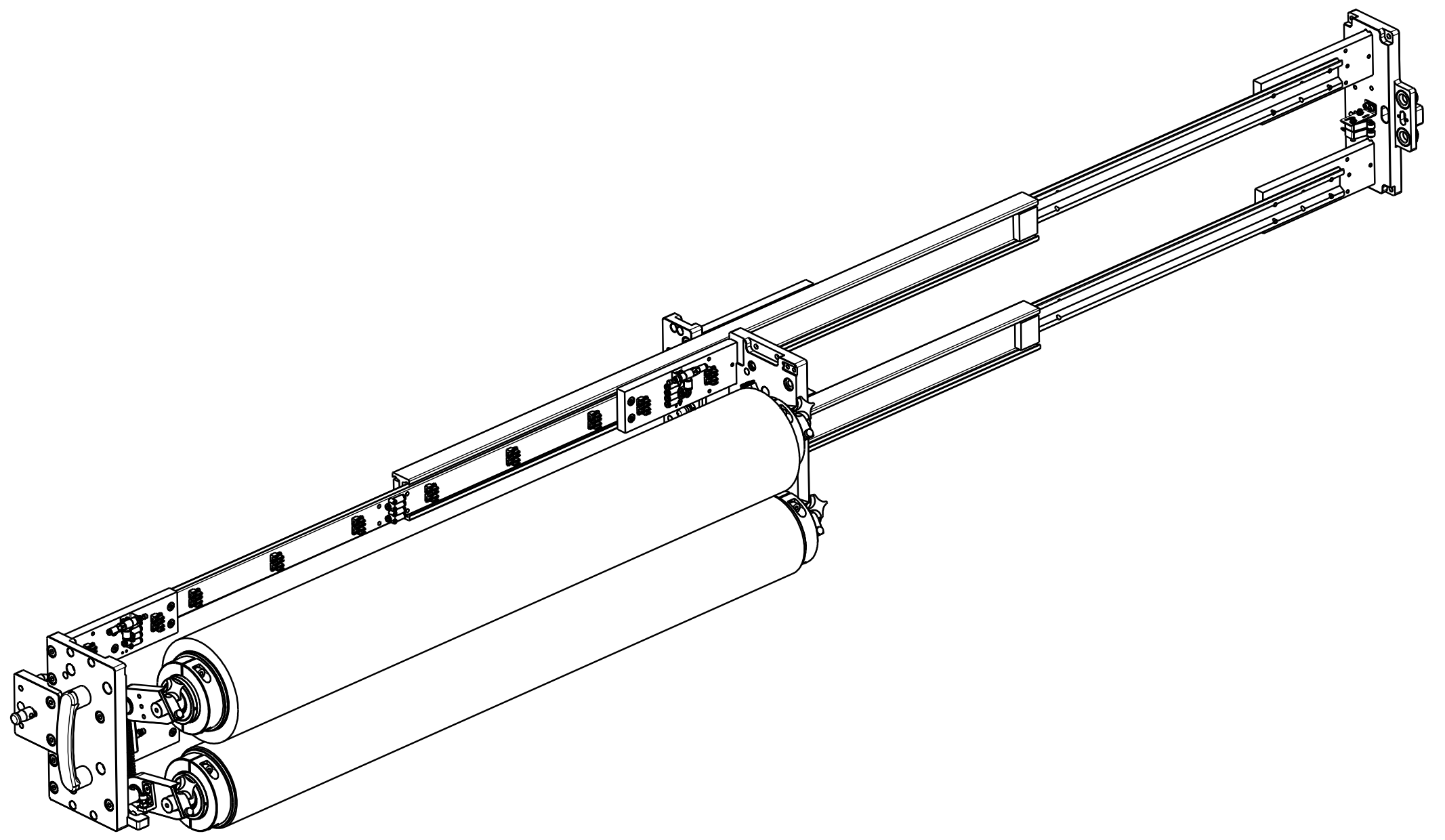
An ITW Company

1	2	3	4	5	6	7	8	
DESCRIPTION OF CHANGE SEE SHEET - 1		REV 03		PART No. Pi71395				Rev. 03

UWC-1800-DS	2032	4050
UWC-1700-DS	1932	3850
UWC-1600-DS	1832	3650
UWC-1500-DS	1732	3450
UWC-1400-DS	1632	3250
UWC-1300-DS	1532	3050
UWC-1200-DS	1432	2850
UWC-1100-DS	1332	2650
UWC-1000-DS	1232	2450
MACHINE	DIM.L	DIM.W



SINGLE SIDED CLEANER WITH SLIDES
(SHOWN WITH SLIDES IN CLOSED POSITION)



SINGLE SIDED CLEANER WITH SLIDES
(SHOWN WITH SLIDES FULLY EXTENDED)

NOTES:

				STD DESIGN SPEC. P15487	
				DIMENSIONAL TOLERANCES UNLESS OTHERWISE STATED: DIMENSION X. $\pm .50\text{mm}$ ANGLES X. $\pm 2.0^\circ$ X.X $\pm .25\text{mm}$ X.X $\pm 1.0^\circ$ X.XX $\pm .10\text{mm}$ X.XX $\pm 0.5^\circ$	
03	13.02.17	4484r05	BT		
02	22.09.16	4484r01	BT	ENGR: B. TYNAN	DATE: 24.05.16
01	24.05.16	4484r01	BT	APP BY:	
REV	DATE	ECN No.	ENG.		

© 2016 TEKNEK ®
 ALL PRODUCTS DESIGNED, DEVELOPED AND MANUFACTURED BY TEKNEK ARE PROTECTED BY COPYRIGHT, UNREGISTERED DESIGN RIGHT AND, WHERE APPROPRIATE, PATENT OR REGISTERED DESIGN. NO ELEMENT OF ANY PRODUCT SHOULD BE COPIED WITHOUT THE PRIOR WRITTEN PERMISSION OF TEKNEK.
 FINISH:
 SCALE: 3:50

TEKNEK
 River Drive, Inchinnan
 PA4 9RT, Scotland, United Kingdom
 Telephone: +44 (0) 141 568 8100
 E-mail: teknek@teknek.com
 Web: http://www.teknek.com
 PROJECT: UNIVERSAL WEB CLEANER
 TITLE: LAYOUT, SINGLE SIDED TABULATED INFO
 DRG SIZE: A2
 PART No: Pi71395
 Rev. 03

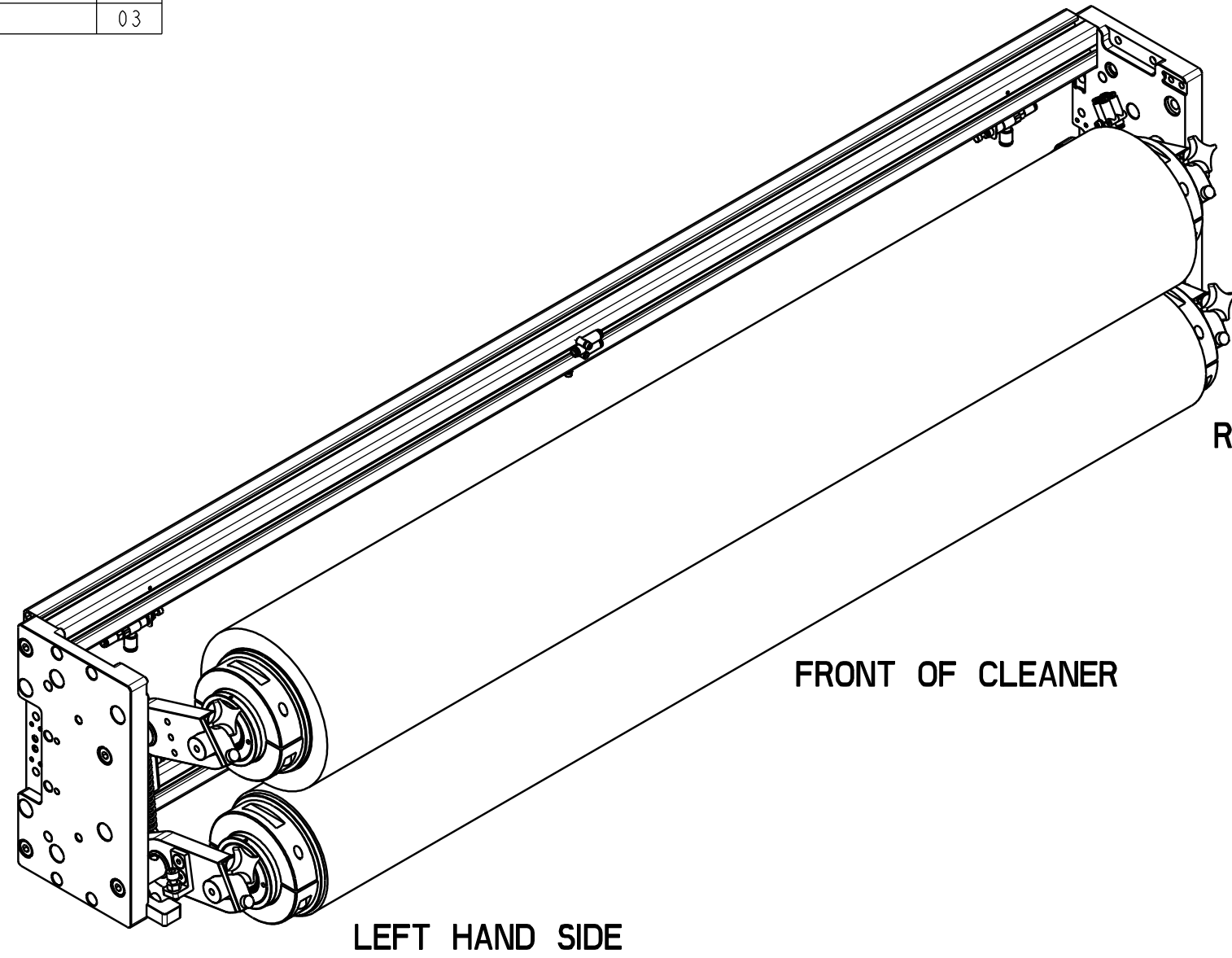


An ITW Company

1	2	3	4	5	6	7	8
---	---	---	---	---	---	---	---

DESCRIPTION OF CHANGE	REV
SEE SHEET - 1	03

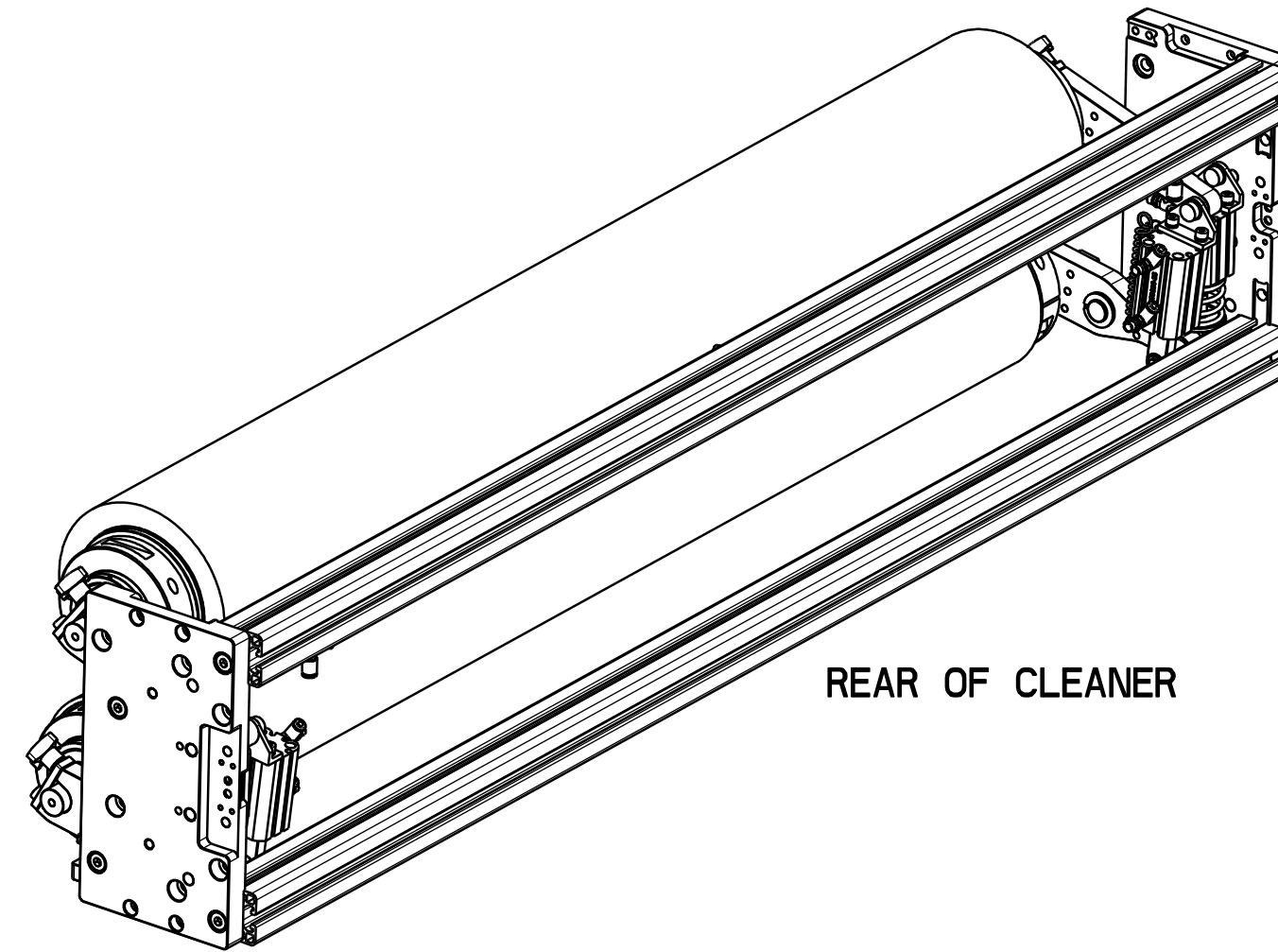
PART No. Pi71395 Rev. 03



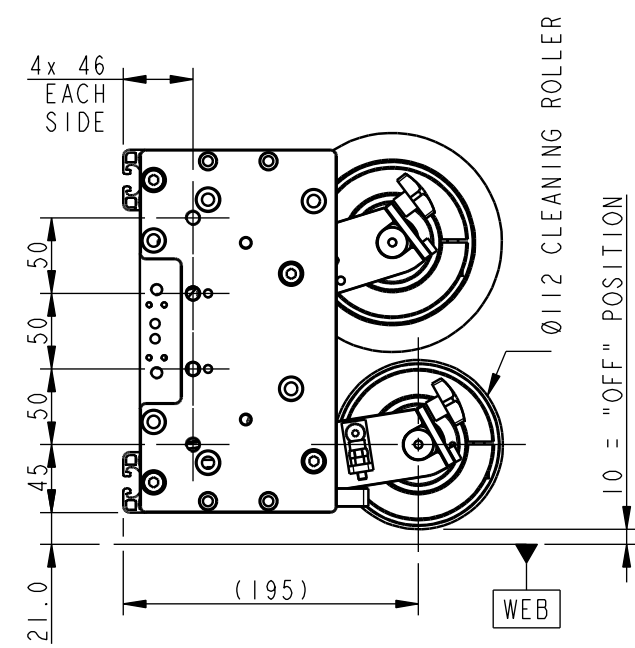
LEFT HAND SIDE

FRONT OF CLEANER

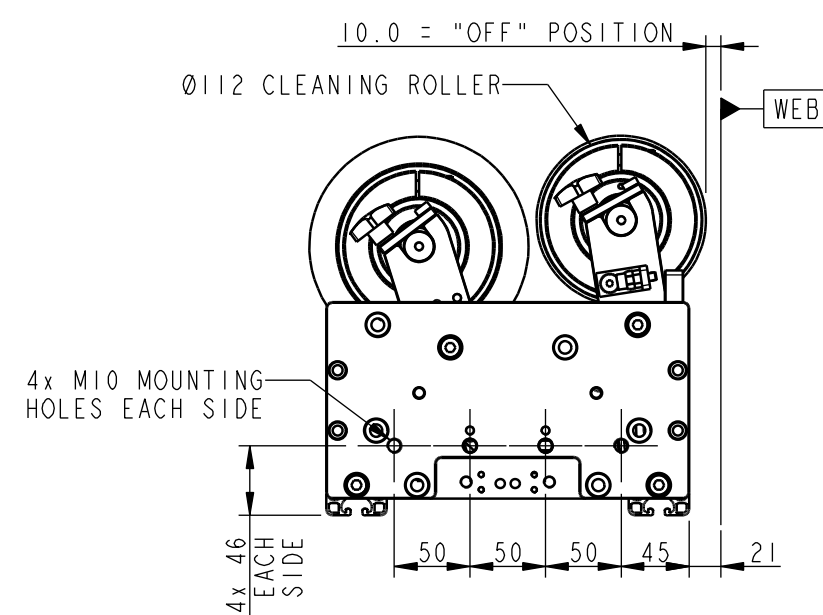
RIGHT HAND SIDE



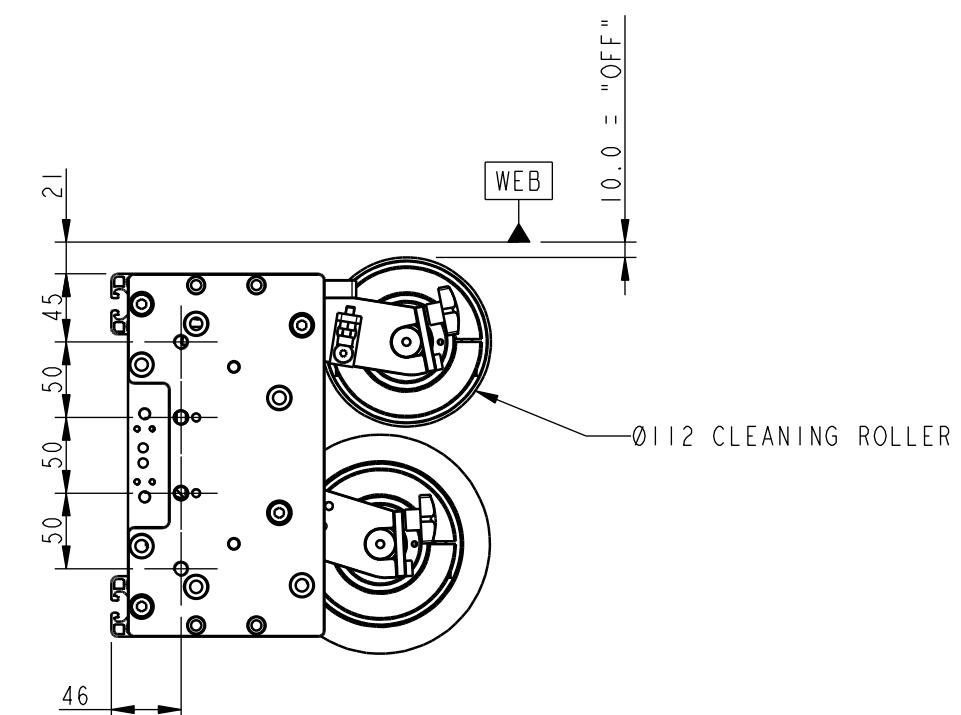
REAR OF CLEANER



VERTICAL ORIENTATION (VCH)



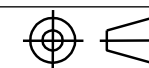
HORIZONTAL ORIENTATION (HCH)



UPSIDE-DOWN ORIENTATION (UCH)

NOTES:

STD DESIGN SPEC. P15487



© 2016 TEKNEK ®

ALL PRODUCTS DESIGNED, DEVELOPED AND MANUFACTURED BY TEKNEK ARE PROTECTED BY COPYRIGHT, UNREGISTERED DESIGN RIGHT AND, WHERE APPROPRIATE, PATENT OR REGISTERED DESIGN. NO ELEMENT OF ANY PRODUCT SHOULD BE COPIED WITHOUT THE PRIOR WRITTEN PERMISSION OF TEKNEK.

TEKNEK
River Drive, Inchinnan
PA4 9RT, Scotland, United Kingdom
Telephone: +44 (0) 141 568 8100
E-mail: teknek@teknek.com
Web: http://www.teknek.com



DIMENSIONAL TOLERANCES UNLESS OTHERWISE STATED:
DIMENSION X. ± .50mm ANGLES X. ± 2.0°
X.X ± .25mm X.X ± 1.0°
X.XX ± .10mm X.XX ± 0.5°

03	13.02.17	4484r05	BT
02	22.09.16	4484r01	BT
01	24.05.16	4484r01	BT
REV	DATE	ECN No.	ENG.

ENGR: B. TYNAN DATE: 24.05.16

APP BY:

MATERIAL:

FINISH:

SCALE: 1:10 SHEET 4 OF 4

PROJECT: UNIVERSAL WEB CLEANER

TITLE: LAYOUT, SINGLE SIDED TABULATED INFO

DRG SIZE: A2 PART No. Pi71395 Rev. 03