



An ITW Company

# TEK-NW3

Protecting quality,  
reputation and  
precious resources.





# A win for the business, people and the planet.

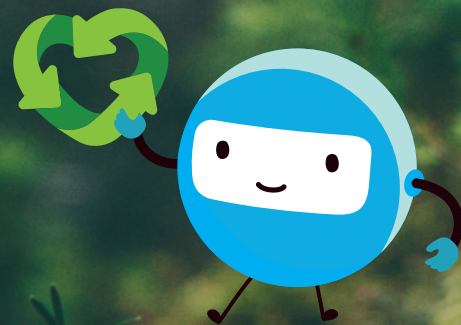
This groundbreaking product, the NW3 is the latest Web Cleaner specifically for the Narrow Web Industry. Our Cleaning Technology is trusted by the worlds leading print companies. The NW3 breaks boundaries not only in web cleaning but is the first product to be designed under the OECD's Sustainable Manufacturing Framework, constructed from 85% aluminium, the world's most recyclable material.



02

**85%**  
**ALUMINIUM**  
The world's most  
recyclable material

**OVER 40% LESS PLASTIC**



## Sustainability

Integrating sustainability into design and production processes from the very start was key. We sought to eliminate materials derived from hydrocarbons, choose materials which are easy to recycle, use low loss production processes, and make the product last longer. The result is a unique product, the world's first "sustainable" web cleaner, good for people and the planet.

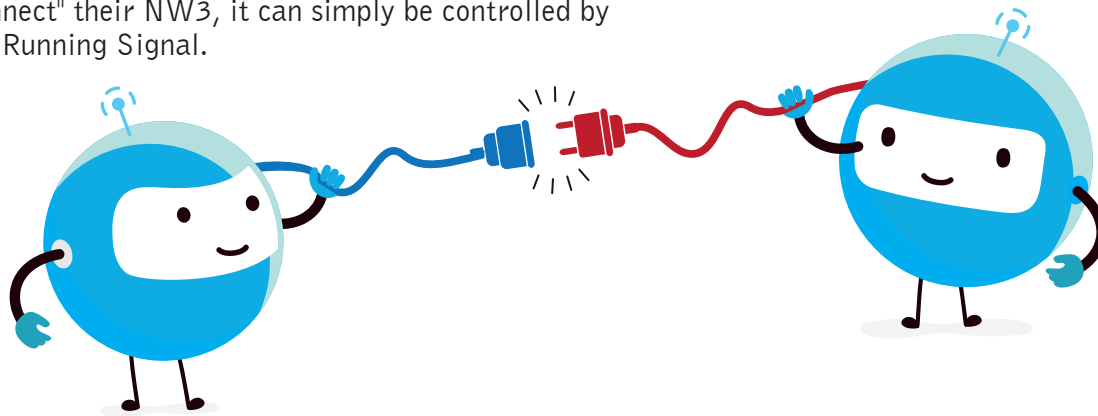
## Benefits

- Designed under OECD's sustainable manufacturing framework
- Protects quality & reputation
- Reduces need for overruns
- Avoids unnecessary waste
- Safeguards precious resources
- Trusted by the worlds top label and packaging producers for over 30 years.



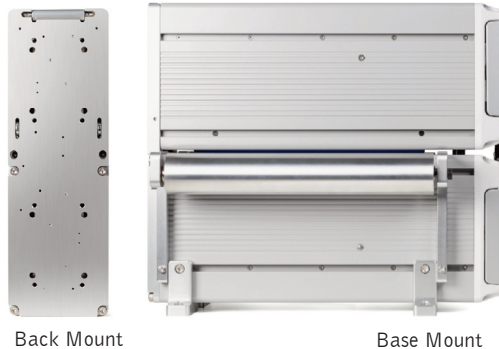
## Connected

Today's Narrow Web Industry is driving toward "All things Connected". The NW3 offers this connection as standard. Once linked to the process it will communicate it's operational status to the lines control system. This simple volt free connection, will confirm that the adhesive rolls are fitted and the machine is closed ready to clean the web. As not all customers have the ability to "Connect" their NW3, it can simply be controlled by a 24vDc Line Running Signal.



## Compatibility

Smart design has created this versatile web cleaner. Simple add-on features such as diverter rollers ensure the NW3 can be fully and easily integrated into any process, delivering state of the art cleaning exactly where it is required.



# Smart design. Easy to integrate. Fully customisable.



## Roller Guard

Key to maintaining the highest cleaning performance from your Web Cleaner, relies on all elements being in place.

"Roller Guard" is a standard feature in all NW3 machines, ensuring the adhesive rolls are fitted before the side access will fully close. If your NW3 is "Connected" an open signal will be detected, alerting the printing press that the cleaner requires attention. This unique patented feature protects the Cleaning Rollers from damage and maintains cleaning efficiency of the NW3.

## Mounting

Part of the design remit for the NW3 was to meet the requirements of a "Universal Web Cleaner". This term is very specific in that the NW3 can be installed as a new machine on a new press and also replace an existing web cleaner in the field. The footprint of the machine is unchanged and the location of the mounting points both for the Back and Base mounted units are exactly the same as previous products.

## Optional accessories

The flexible design of the NW3 allows for optional accessories to be fitted to the machine as part of the original order or can be easily retro fitted to the machine in the field. Based on a modular design, attaching any number of diverter rollers is quick and easy.

- Diverter rollers
- Adjustable feet
- Static bars

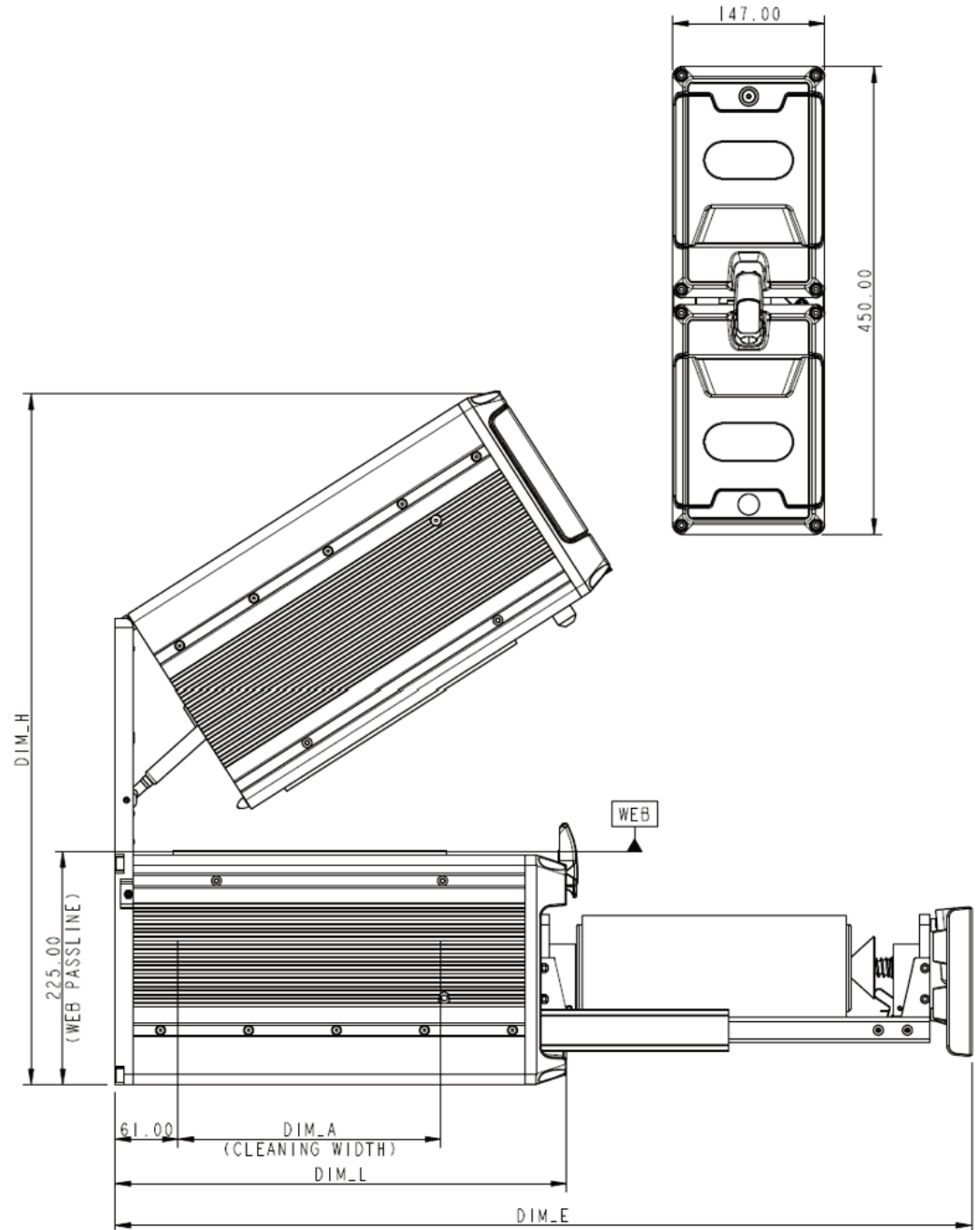
# Technical Specification

8 – Cleaning widths available	254mm – 762mm*
Cleaning options	Single Side or Double Side
Process Speed	Up to 250m/min ( Web Driven )
Power Requirements	24vDC ( Line Running Signal )**
Pneumatic Pressure Requirements	5–7Bar Oil Free Compressed Air
Mounting Options	Back Mount or Base Mount
Diverter Rollers	Options – Refer to Data Sheet
Anti-Static	Passive System as Standard***

\*Refer to Data sheet for all cleaning width options  
 \*\*Connected - Machine Status  
 \*\*\*Active Anti-Static available on request

# Important Dimensions

	DIM_A	DIM_H	DIM_L	DIM_E
NW3 762	762	946	955	1334.5
NW3 622	622	868	815	1194.5
NW3 570	570	840	763	1142.5
NW3 520	520	813	713	1092.5
NW3 470	470	786	663	1042.5
NW3 430	430	765	623	1002.5
NW3 345	345	719	538	917.5
NW3 254	254	670	447	826.5





### **Teknek Head Office**

River Drive  
Inchinnan Business Park  
Renfrewshire, PA4 9RT  
Scotland, UK  
T: + 44 (0)141 568 8100  
E: teknek@teknek.com

### **Teknek (BRUX Japan)**

1-3-1-6F Hakataekiminami Hakata-ku  
Fukuoka-city 812-0016  
Japan  
T: +81 (0)92 473 6455  
E: teknekjapan@brux.jp

### **Teknek China Ltd**

Unit E, 4/F,  
Winfield Industrial Building,  
Tuen Mun, N.T,  
Hong Kong  
T: +852 2468 3160  
E: hk@teknek.com

### **Teknek (Simco-Ion)**

2257 North Penn Road  
Hatfield,  
PA 19440  
USA  
T: +1 125 822 6401  
E: ussales@teknek.com

**teknek.com**

