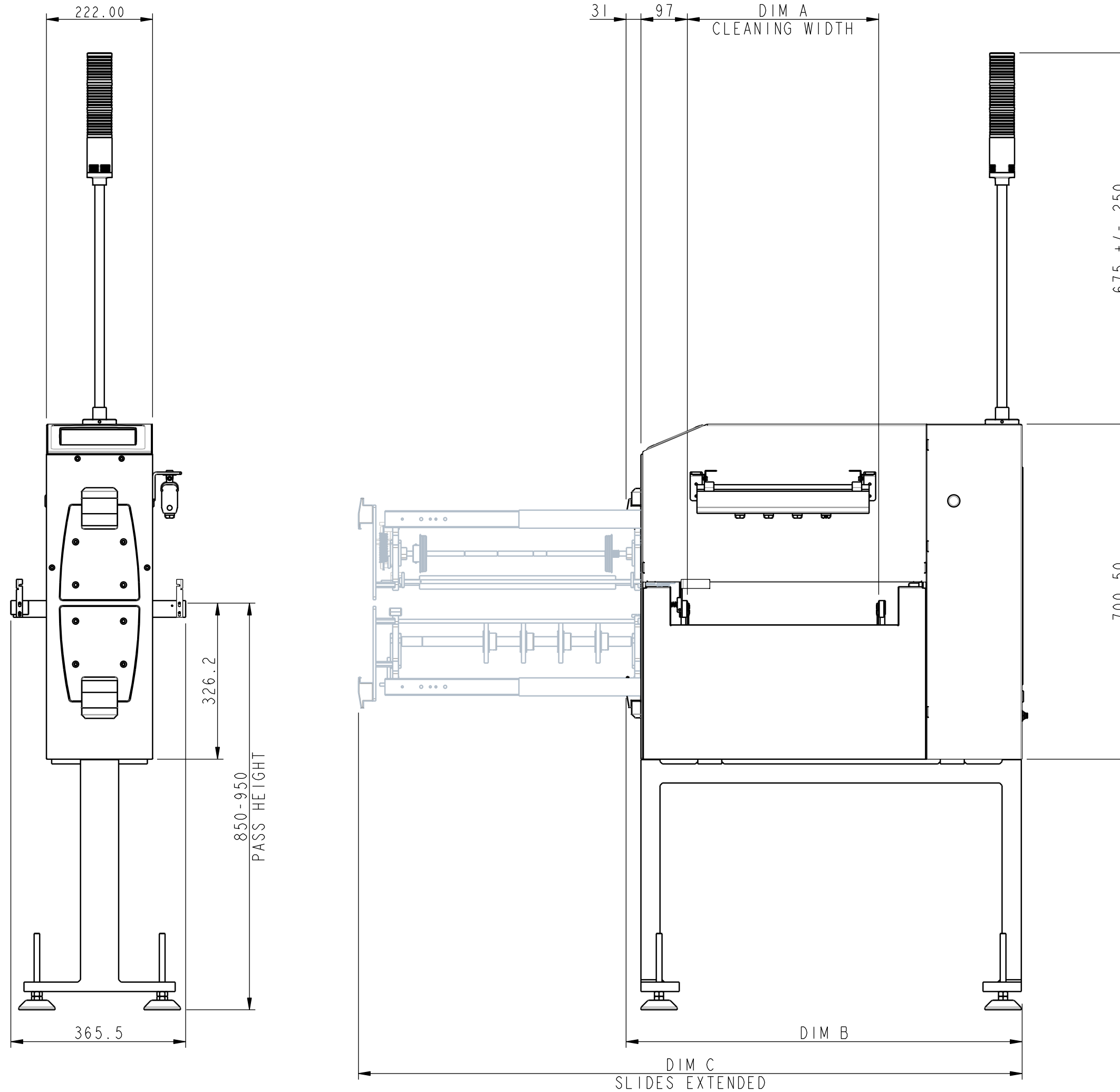


1	2	3	4	5	6	7	8
---	---	---	---	---	---	---	---

DESCRIPTION OF CHANGE	REV
INITIAL RELEASE	A

F  
E  
D  
C  
B



MACHINE WIDTH	CLEANING WIDTH	OVERALL WIDTH	SLIDES EXTENDED
	DIM A	DIM B	DIM C
SMT2 - 400	400	828	1388
SMT2 - 600	622	1078	1878

NOTES:

				STD DESIGN SPEC. P15487		© 2019 TEKNEK ®	TEKNEK River Drive, Inchinnan PA4 9RT, Scotland, United Kingdom Telephone: +44 (0) 141 568 8100 E-mail: teknek@teknek.com Web: http://www.teknek.com			
				DIMENSIONAL TOLERANCES UNLESS OTHERWISE STATED: DIMENSION X. ± .50mm ANGLES X. ± 2.0° X.X ± .25mm X.X ± 1.0° X.XX ± .10mm X.XX ± 0.5°		ALL PRODUCTS DESIGNED, DEVELOPED AND MANUFACTURED BY TEKNEK ARE PROTECTED BY COPYRIGHT, UNREGISTERED DESIGN RIGHT AND, WHERE APPROPRIATE, PATENT OR REGISTERED DESIGN. NO ELEMENT OF ANY PRODUCT SHOULD BE COPIED WITHOUT THE PRIOR WRITTEN PERMISSION OF TEKNEK.				
				ENGR: CW	DATE: 04.07.19	MATERIAL: SEE NOTES	PROJECT: BHAINNE			
A	05.08.19	5316	CW	SYSTEM NUMBER 0000015102		FINISH: SEE NOTES	TITLE: Pi - SMT2 PRODUCT INFO			
REV	DATE	ECN No.	ENG.			SCALE: 3:25	SHEET 1 OF 1	DRG SIZE: A2	PART No. Pi115102	Rev. A



An ITW Company